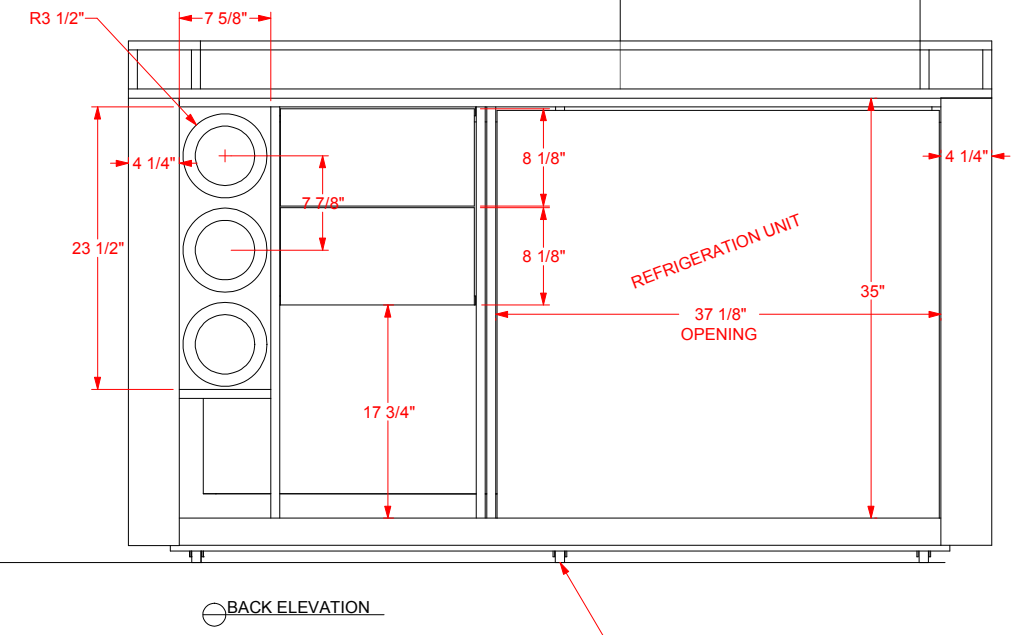
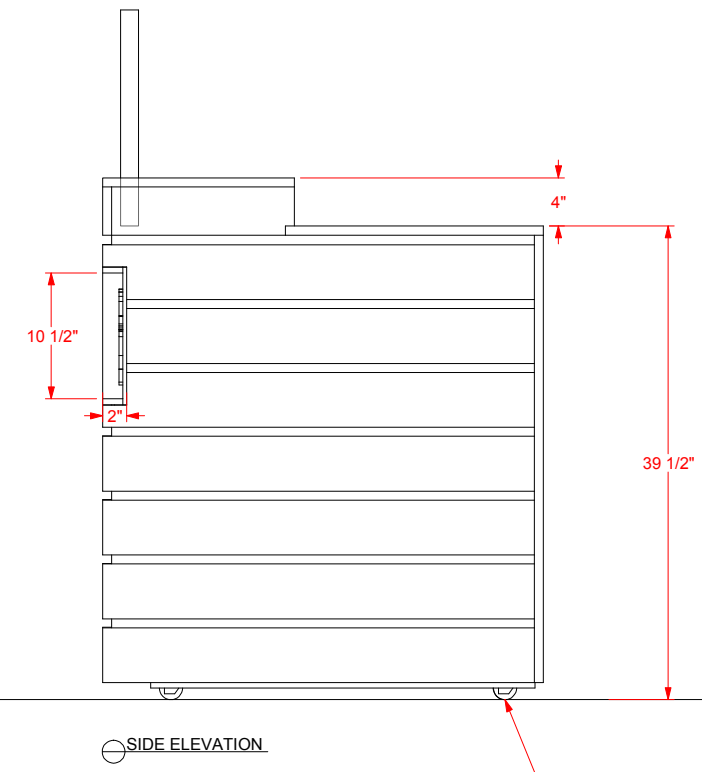
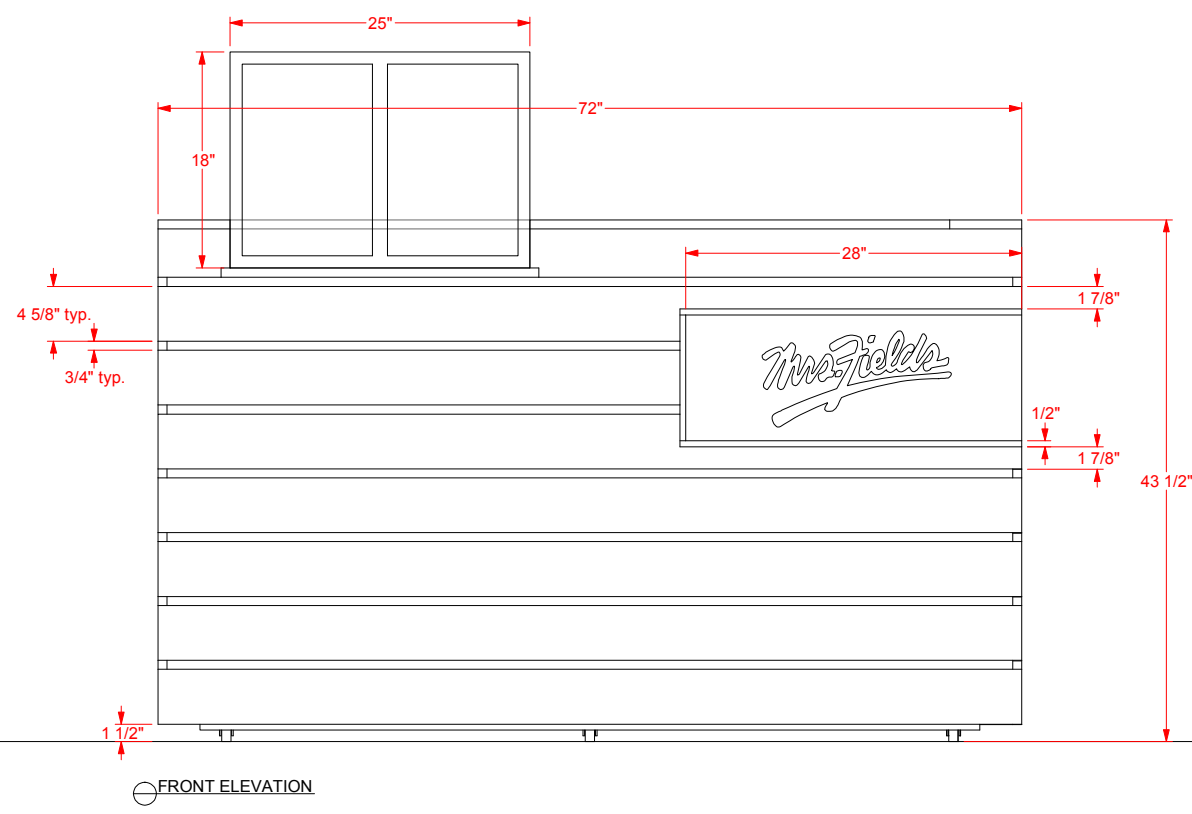
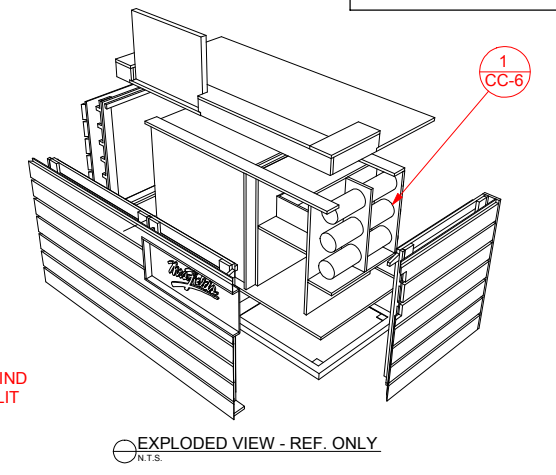
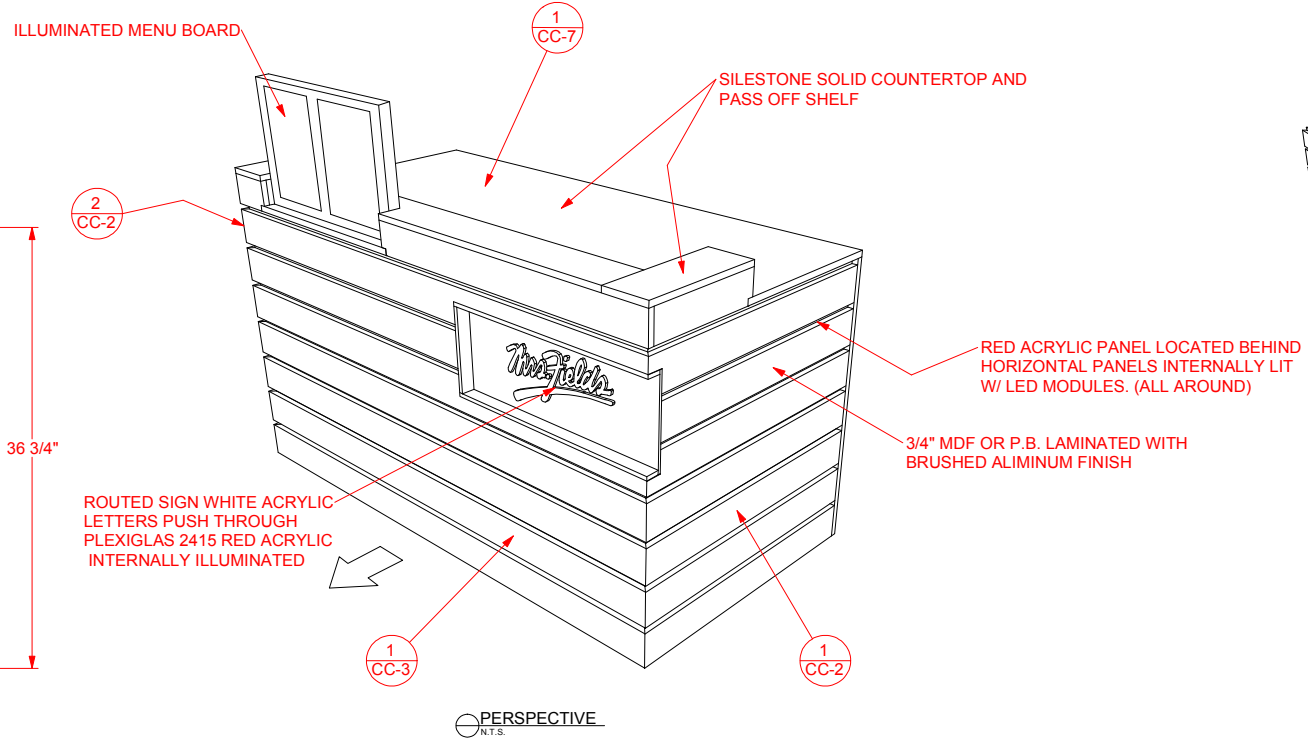
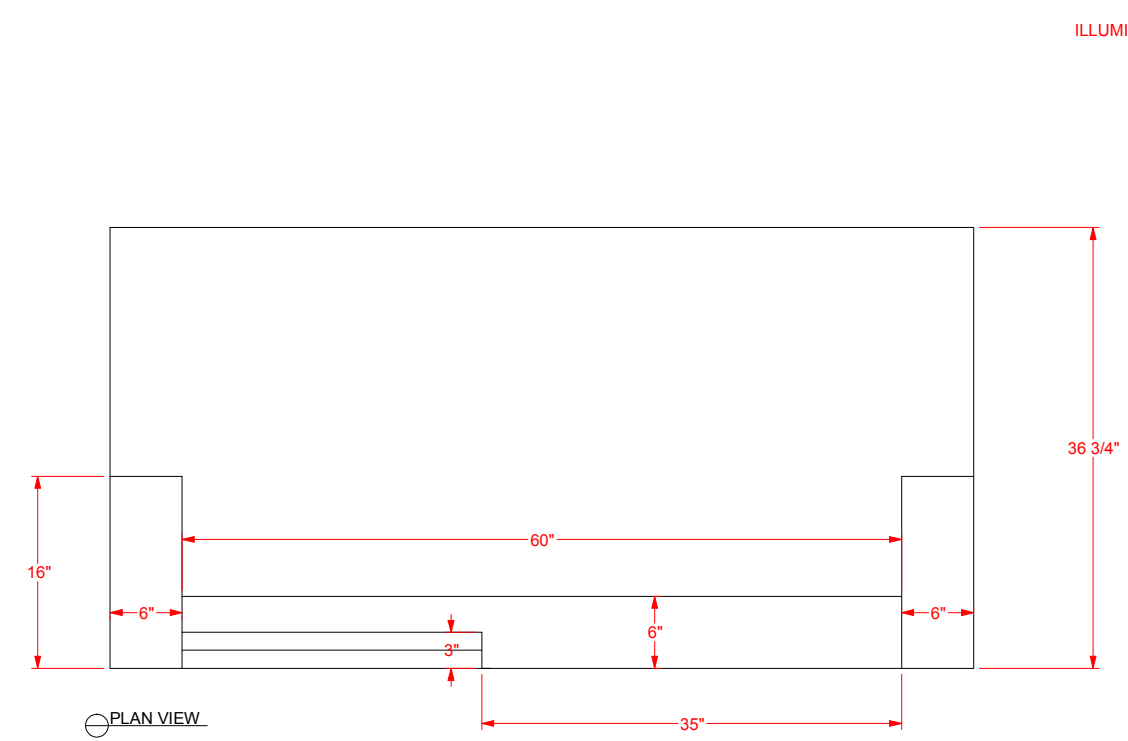
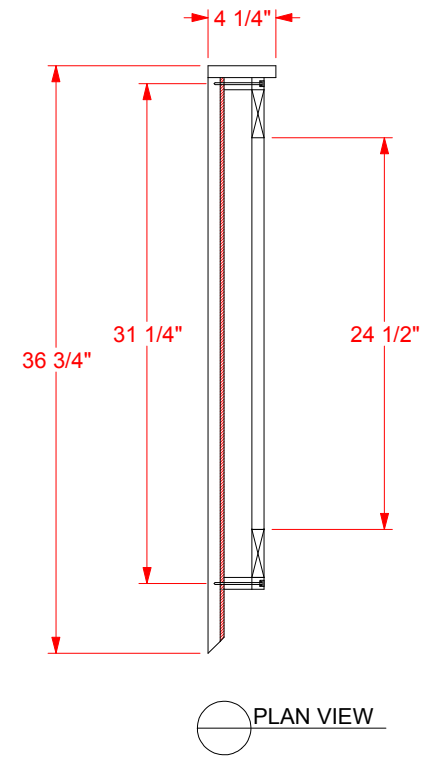
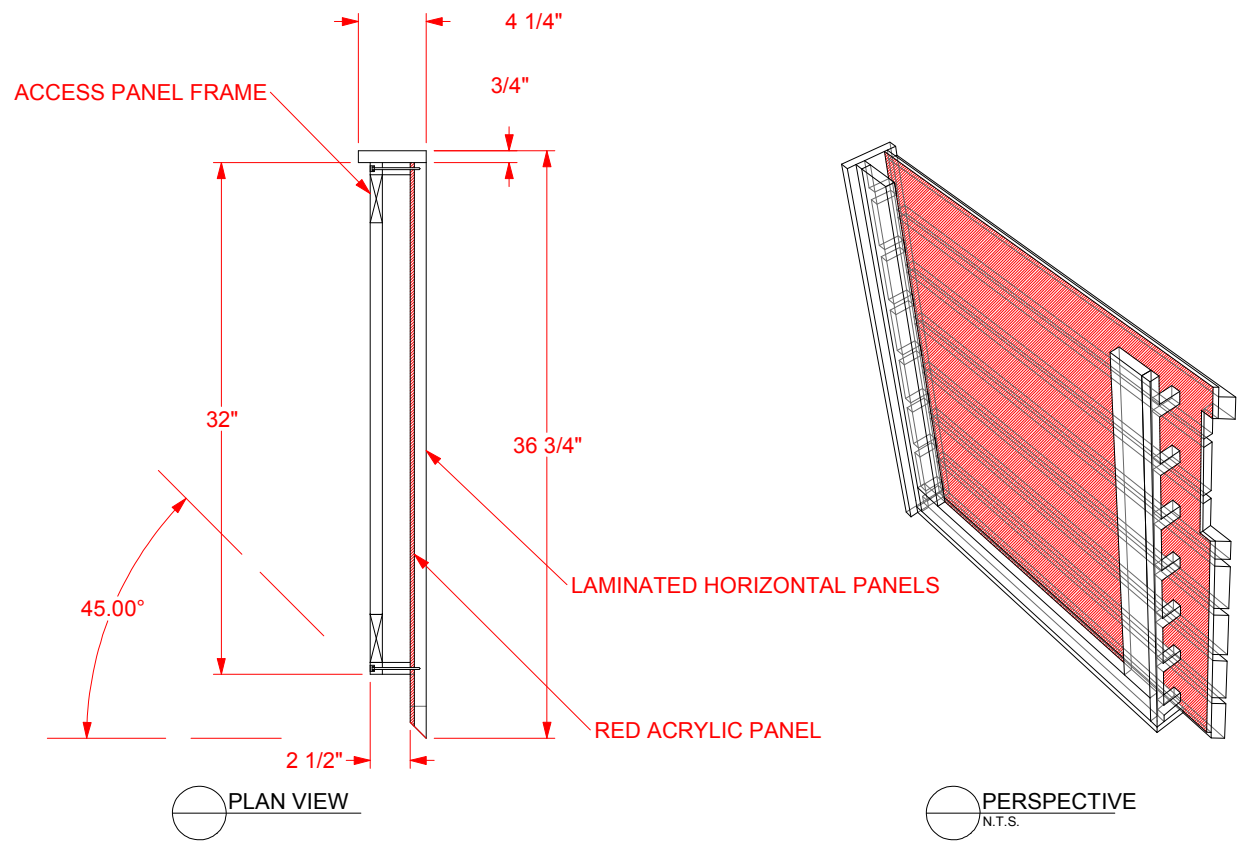


CC-1

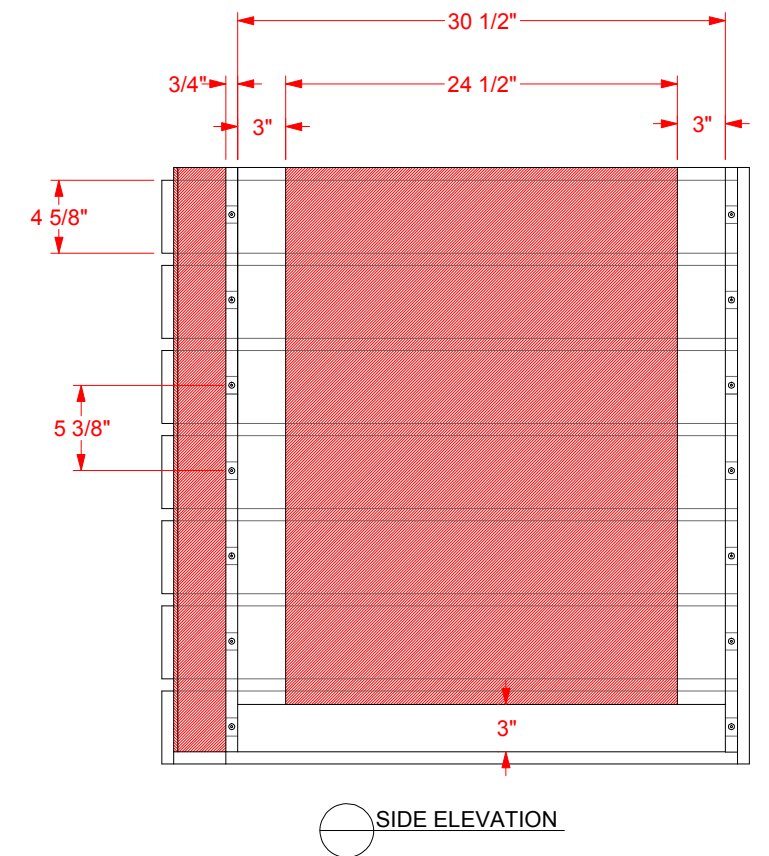
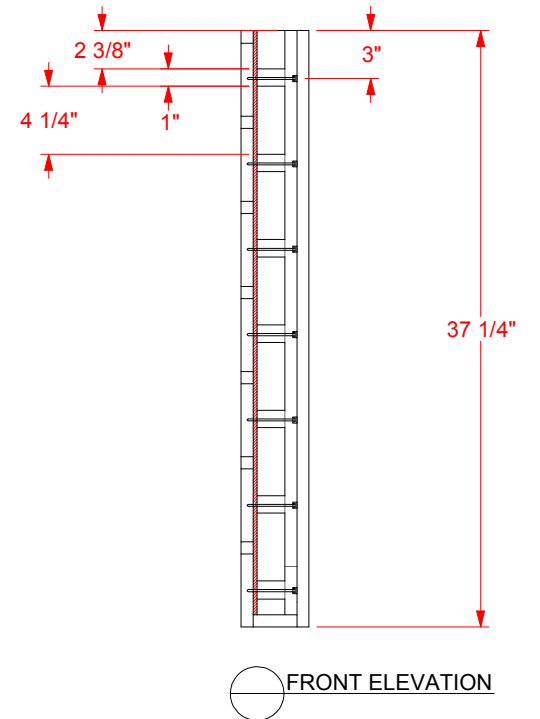
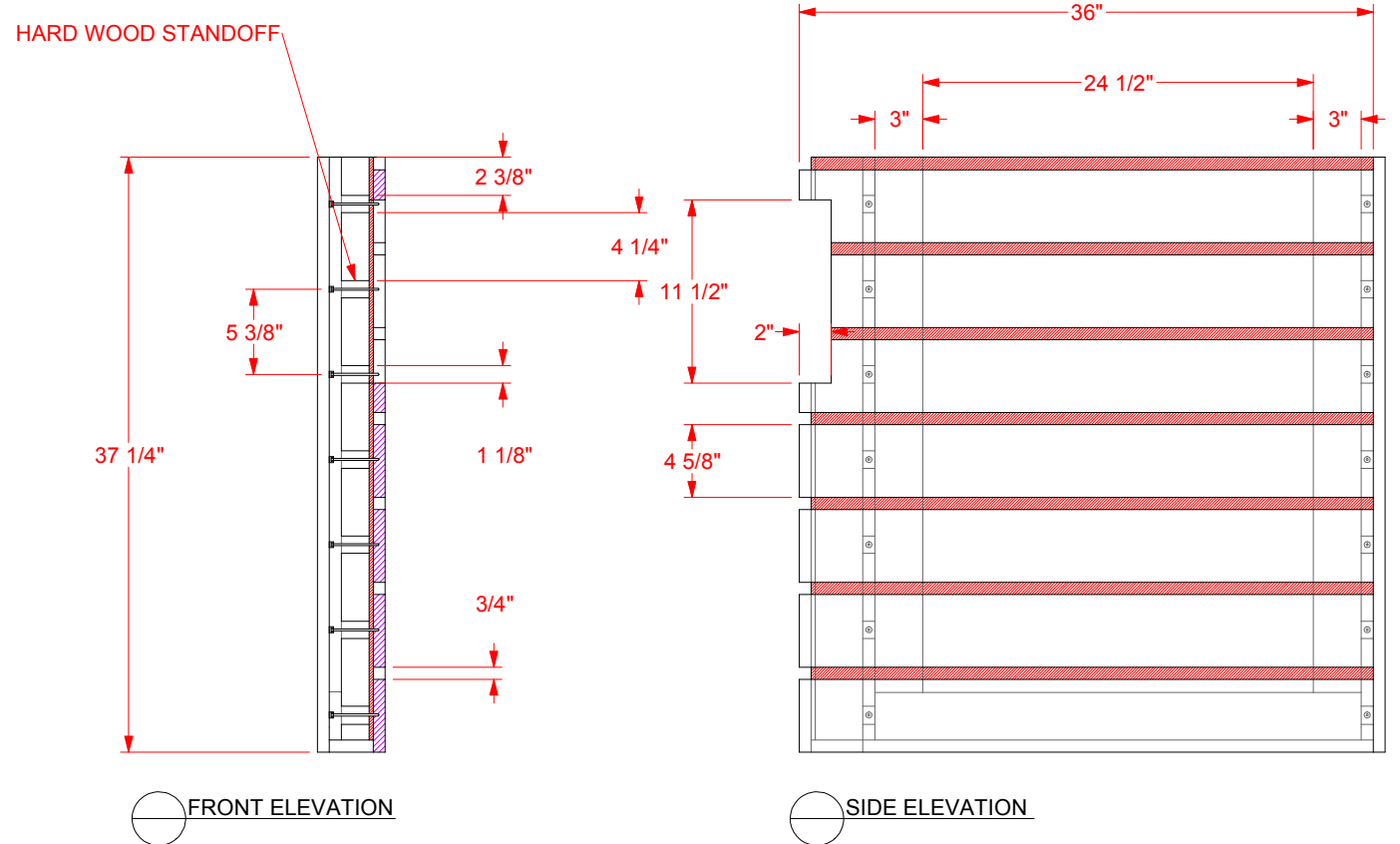


2 AXIS LOCKING CASTERS

DATE: 05.18.2011	DRAWN BY: XXXXX
REVISIONS	APPROVED BY: DATE:
DATE:	SCALE: 3/4"=1'-0"
DATE:	PRINT SIZE: 11" X 17"
<p>TITLE: COFFEE CART ELEVATIONS</p> <p>JOB: MRS. FIELDS</p> <p>FILE #</p>	
<p>1967 South 300 West Salt Lake City, UT 84115 Ph: # 801.505.4160 Fax# 801.505.4161</p>	



CC-2

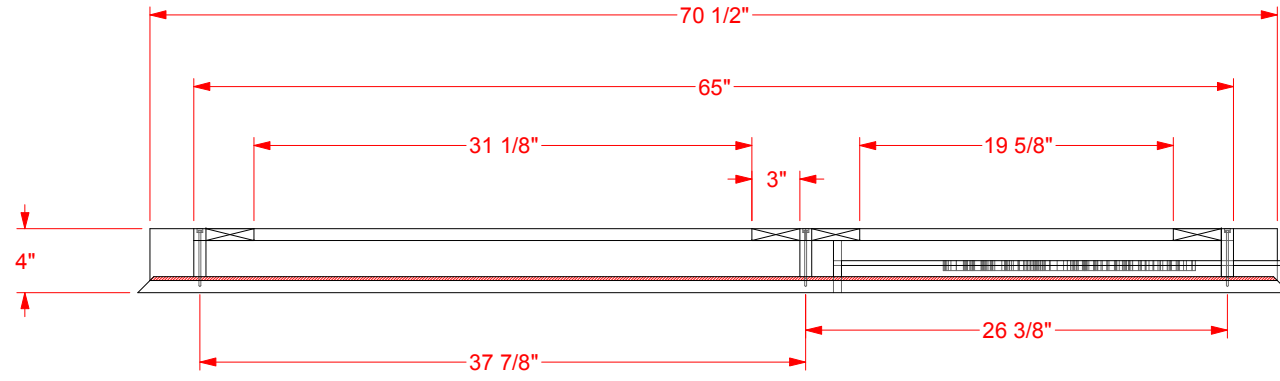


1 FRONT PANEL DETAILS  
CC-2

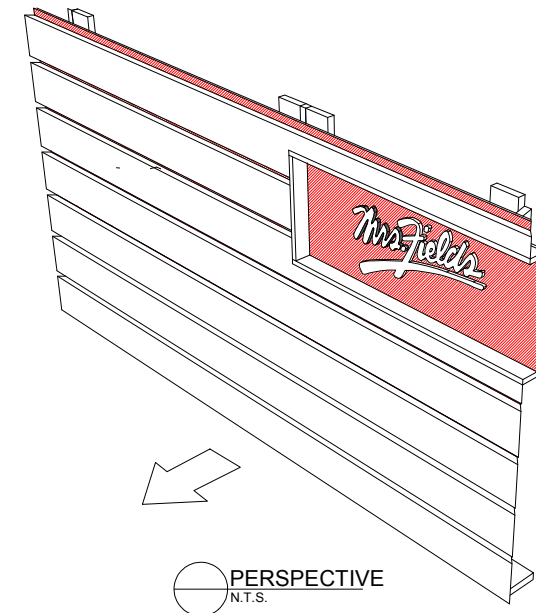
2 FRONT PANEL DETAILS  
CC-1

DATE: 05.19.2011	DRAWN BY: JG
REVISIONS:	APPROVED BY:
DATE:	DATE:
SCALE: 1/4"=1'-0"	PRINT SIZE: 11" X 17"
TITLE: COFFEE CART OUTER PANEL DETAILS JOB: CC-2 MRS. FIELDS FILE #	
1967 South 300 West Salt Lake City, UT 84115 Ph.# 801.505.4160 Fax# 801.505.4161 	
The design ideas, concepts, arrangements and plans indicated on these drawings are the sole property of EZ Design & Fabrication. No part of these drawings may be reproduced, stored in a retrieval system, or used for any purpose without the written consent of a member of EZ Design & Fabrication.	

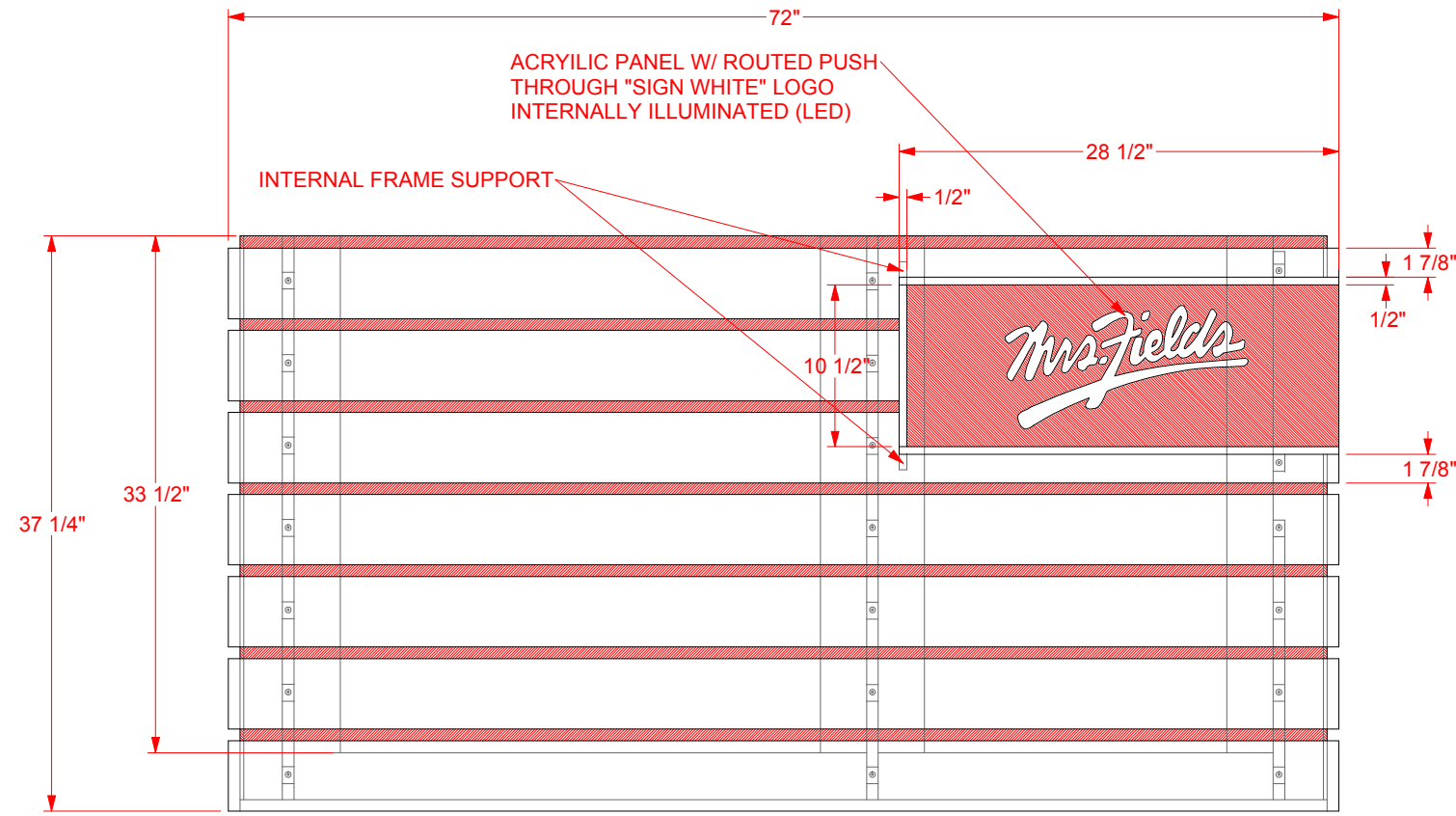
CC-3



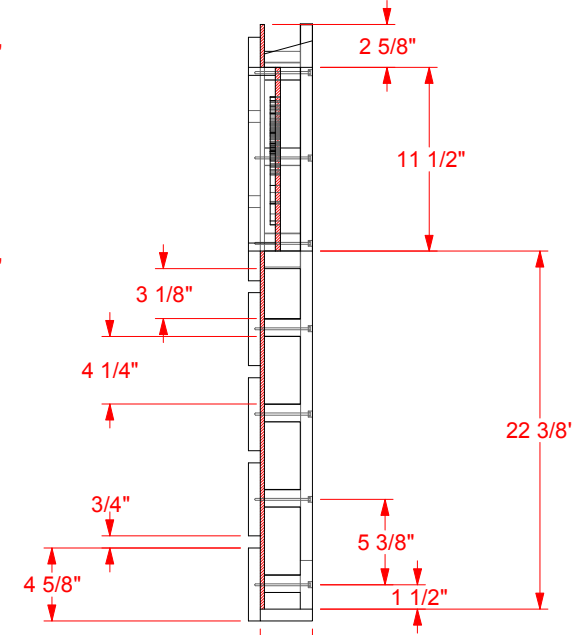
PLAN VIEW



PERSPECTIVE  
N.T.S.



FRONT ELEVATION

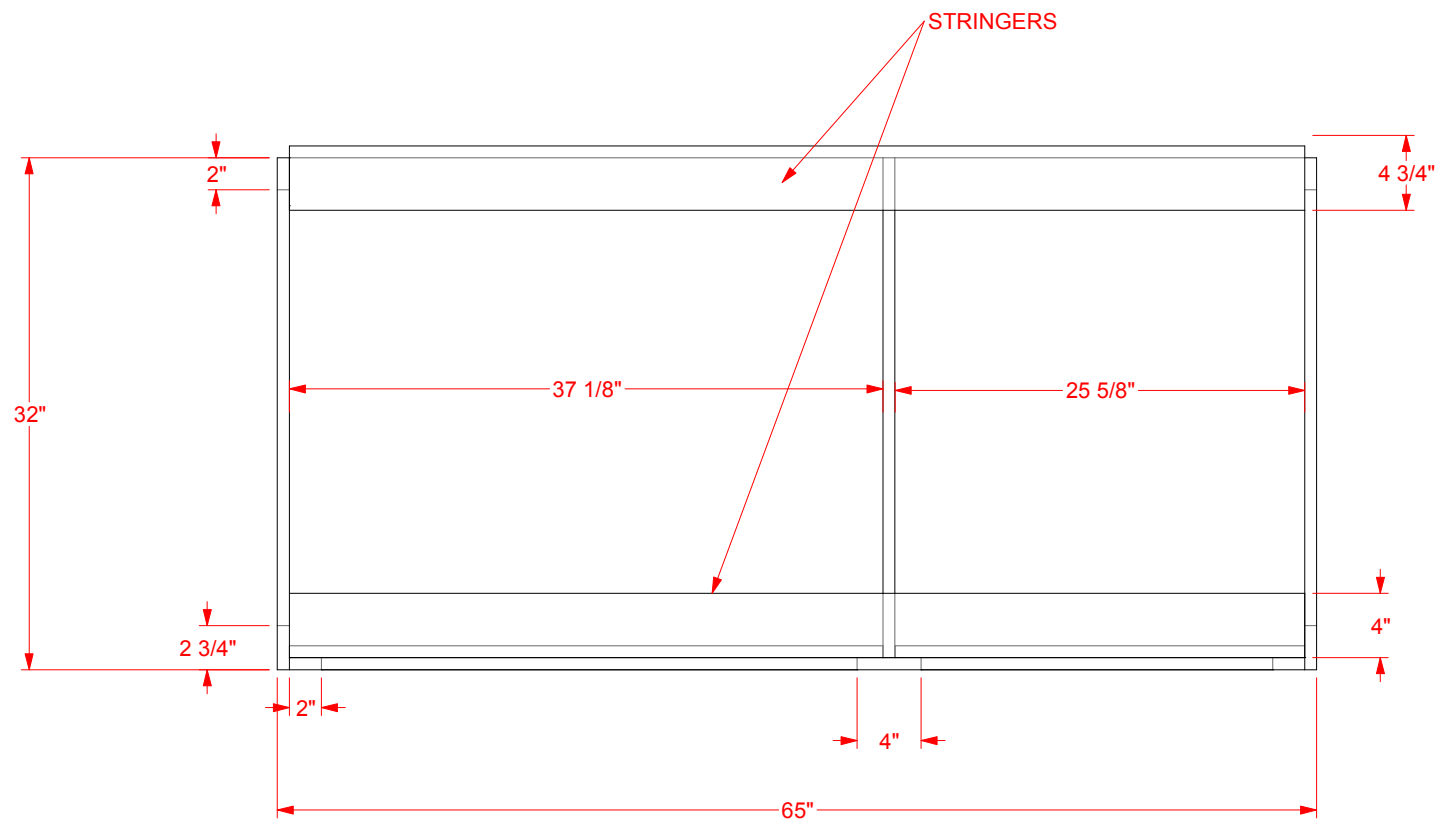


SIDE ELEVATION

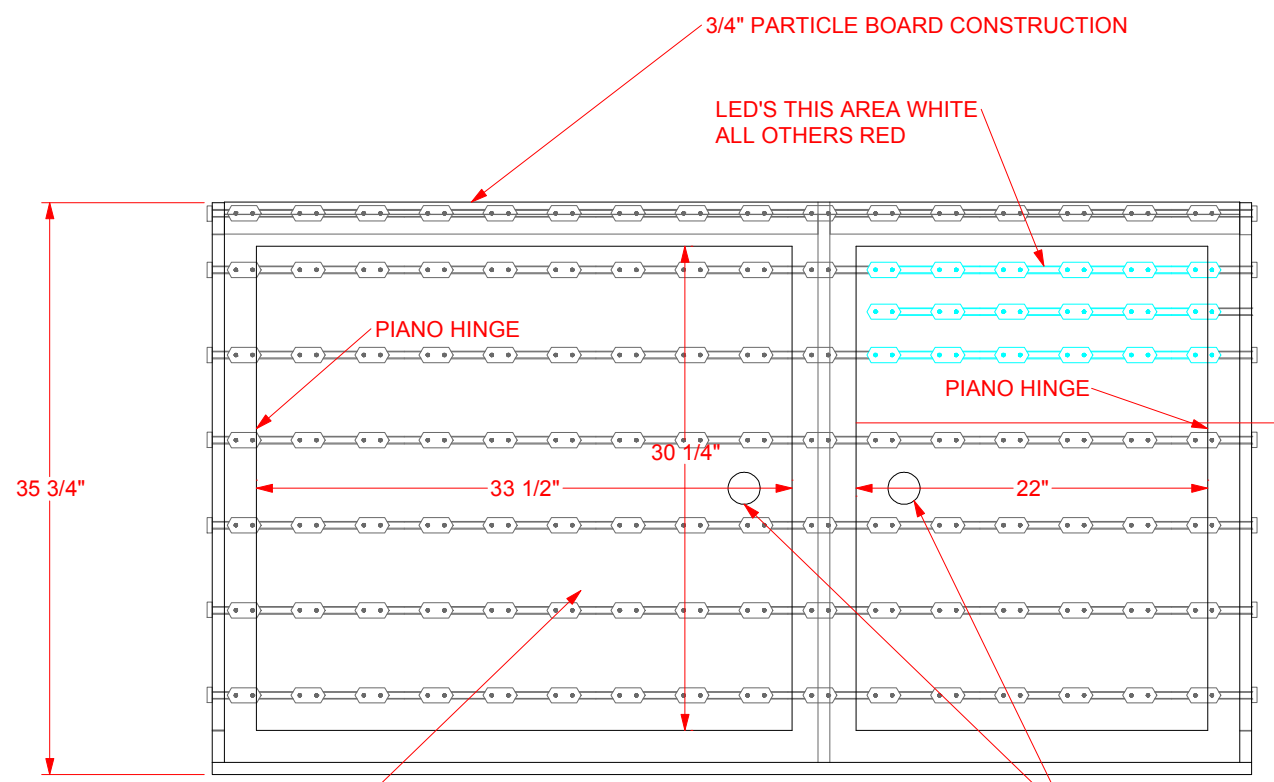
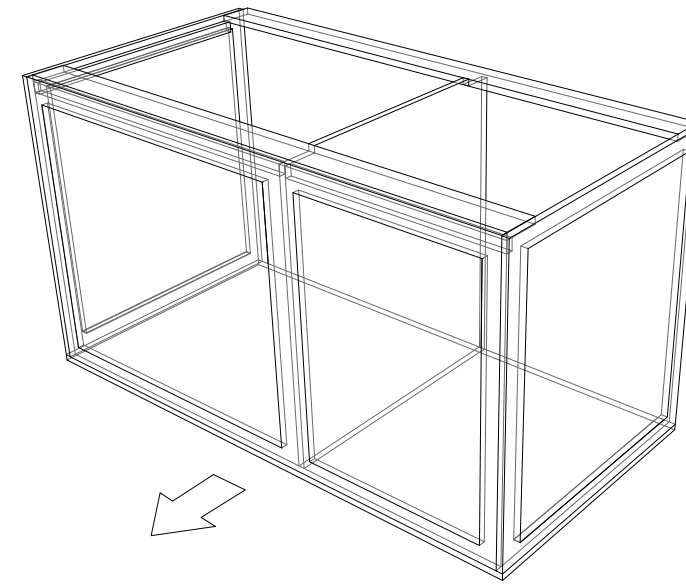
1 FRONT PANEL DETAILS  
CC-3

DATE: 05.19.2011	DATE: 05.19.2011	DATE: 05.19.2011
REVISIONS	REVISIONS	REVISIONS
DATE: -	DATE: -	DATE: -
SCALE: 1"=1'-0"	SCALE: 1"=1'-0"	SCALE: 1"=1'-0"
PRINT SIZE: 11" X 17"	PRINT SIZE: 11" X 17"	PRINT SIZE: 11" X 17"
APPROVED BY: JG	APPROVED BY: JG	APPROVED BY: JG
DESIGNED BY: JG	DESIGNED BY: JG	DESIGNED BY: JG
DRAWN BY: JG	DRAWN BY: JG	DRAWN BY: JG
CHECKED BY: -	CHECKED BY: -	CHECKED BY: -
FILE #	FILE #	FILE #
CC-3	CC-3	CC-3
JOB	JOB	JOB
MRS. FIELDS	MRS. FIELDS	MRS. FIELDS
TITLE: COFFEE CART OUTER PANEL DETAILS	TITLE: COFFEE CART OUTER PANEL DETAILS	TITLE: COFFEE CART OUTER PANEL DETAILS
1967 South 300 West	1967 South 300 West	1967 South 300 West
Salt Lake City, UT 84115	Salt Lake City, UT 84115	Salt Lake City, UT 84115
Ph.# 801.505.4160	Ph.# 801.505.4160	Ph.# 801.505.4160
Fax# 801.505.4161	Fax# 801.505.4161	Fax# 801.505.4161
ER DESIGN & FABRICATION	ER DESIGN & FABRICATION	ER DESIGN & FABRICATION

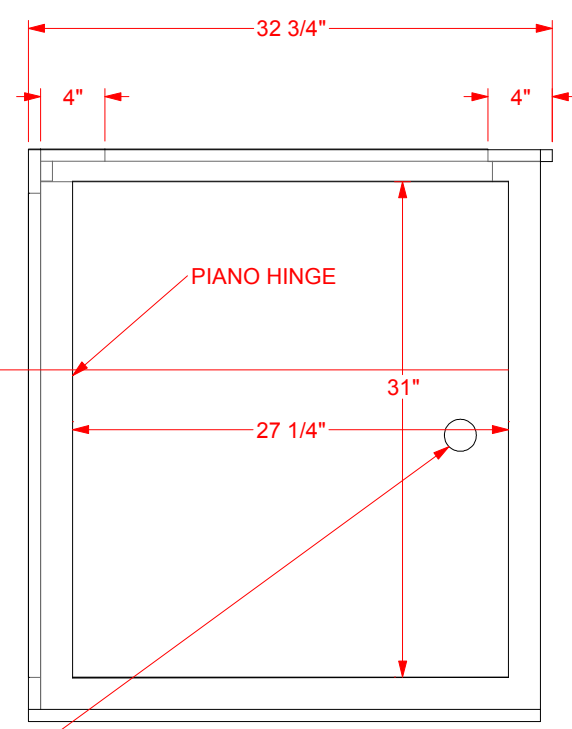
CC-4



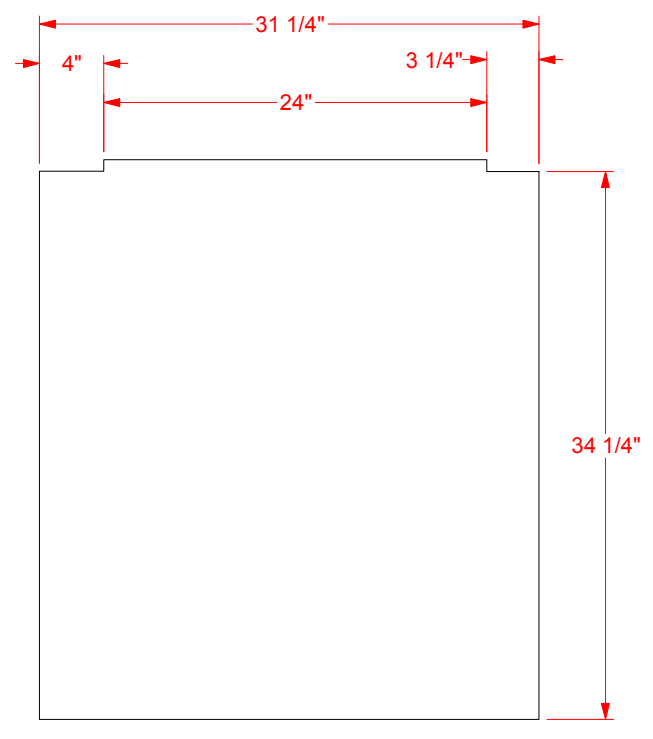
PLAN VIEW



FRONT ELEVATION



SIDE ELEVATION



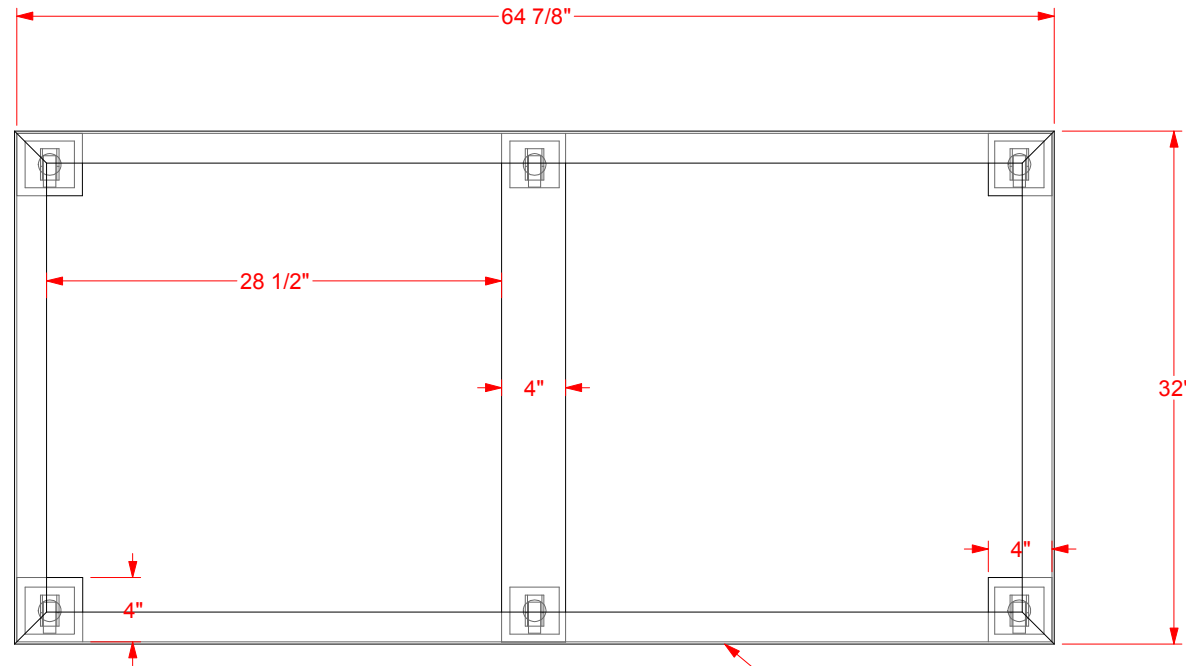
CENTER DIVIDER

3 FRAME DETAILS  
CC-1

LED LIGHTING AND TRANSFORMERS MOUNTED TO ACCESS PANELS FOR EASE OF SERVICING. WHERE LEDS ROUND CORNERS AND AT ACCESS PANEL HINGE LOCATIONS EXTRA WIRE TO BE ADDED FOR FLEXIBILITY.

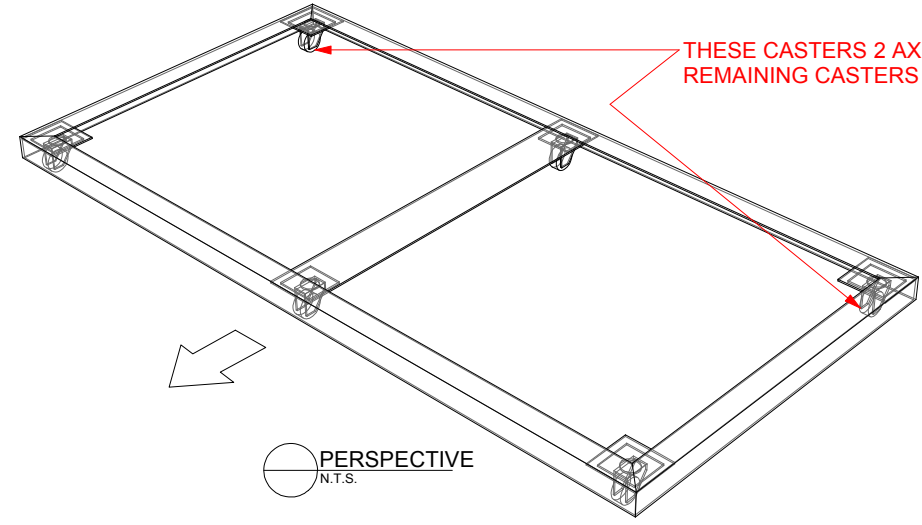
DATE: 05.19.2011	DATE: 05.19.2011
DRAWN BY: JG	DRAWN BY: JG
APPROVED BY: _____	APPROVED BY: _____
REVISIONS	REVISIONS
DATE: _____	DATE: _____
SCALE: 1"=1'-0"	SCALE: 1"=1'-0"
PRINT SIZE: 11" X 17"	PRINT SIZE: 11" X 17"
<p>1967 South 300 West Salt Lake City, UT 84115 Ph.# 801.505.4160 Fax# 801.505.4161</p>	
<p><b>ER</b> DESIGN &amp; FABRICATION</p>	
TITLE: COFFEE CART FRAME DETAILS	JOB: MRS FIELDS
DRAWING #: CC-4	FILE #:

CC-5

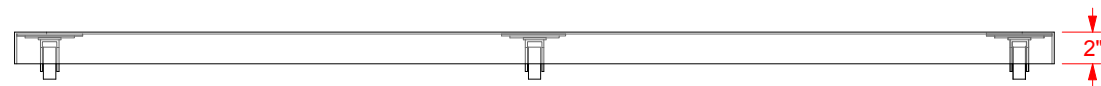


PLAN VIEW

2" ANGLE IRON WELDED FRAME



PERSPECTIVE  
N.T.S.



FRONT ELEVATION



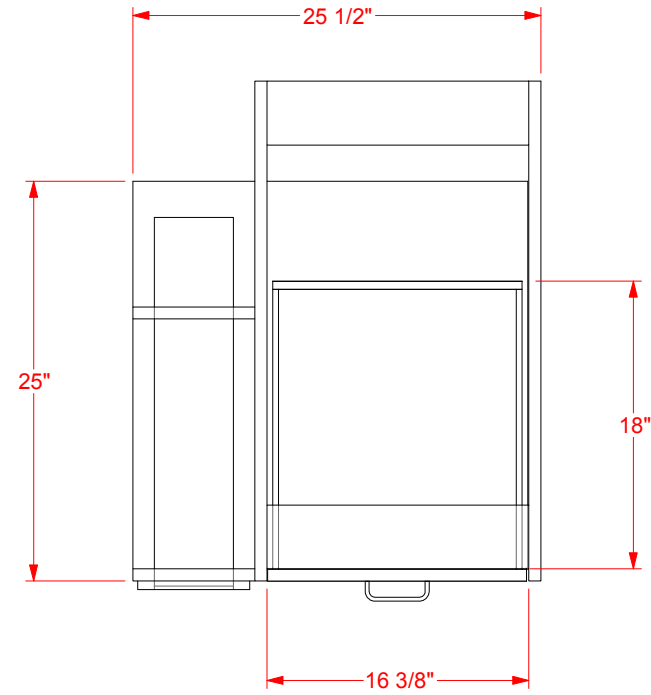
SIDE ELEVATION

1 FRONT PANEL DETAILS  
CC-5

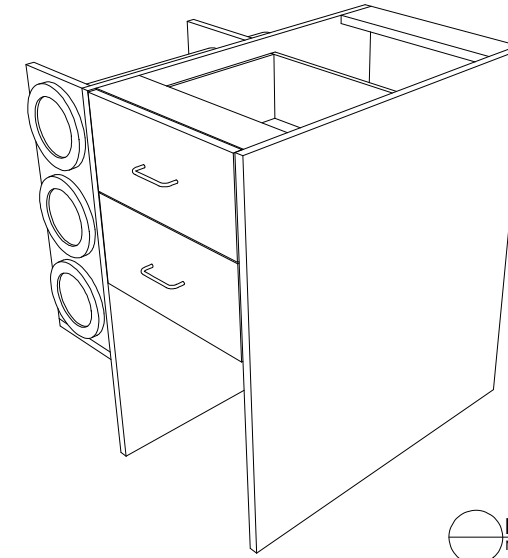
TITLE: COFFEE CART ROLLING FRAME JOB: MRS FIELDS		DATE: 05.19.2011 DRAWN BY: JG
DRAWING # CC-5	REVISIONS	APPROVED BY: _____ DATE: _____
1967 South 300 West Salt Lake City, UT 84115 Ph.# 801.505.4160 Fax# 801.505.4161		SCALE: 1"=1'-0" PRINT SIZE: 11" X 17"
<small>The design ideas, concepts, arrangements and plans indicated on these drawings are the sole property of EZ Design &amp; Fabrication. No part of these drawings may be reproduced, stored in a retrieval system, or transmitted in any form or by any means, electronic, mechanical, photocopying, recording, or by any information storage and retrieval system, without the written consent of a member of EZ Design &amp; Fabrication.</small>		

THIS COMPONENT BUILT MODULAR FOR REMOVAL DURING LIGHT SERVICE. SHORTEN VERTICAL STRUCTURAL FEATURES AS REQUIRED FOR SECURE PLACEMENT AS WELL AS EASY REMOVAL.

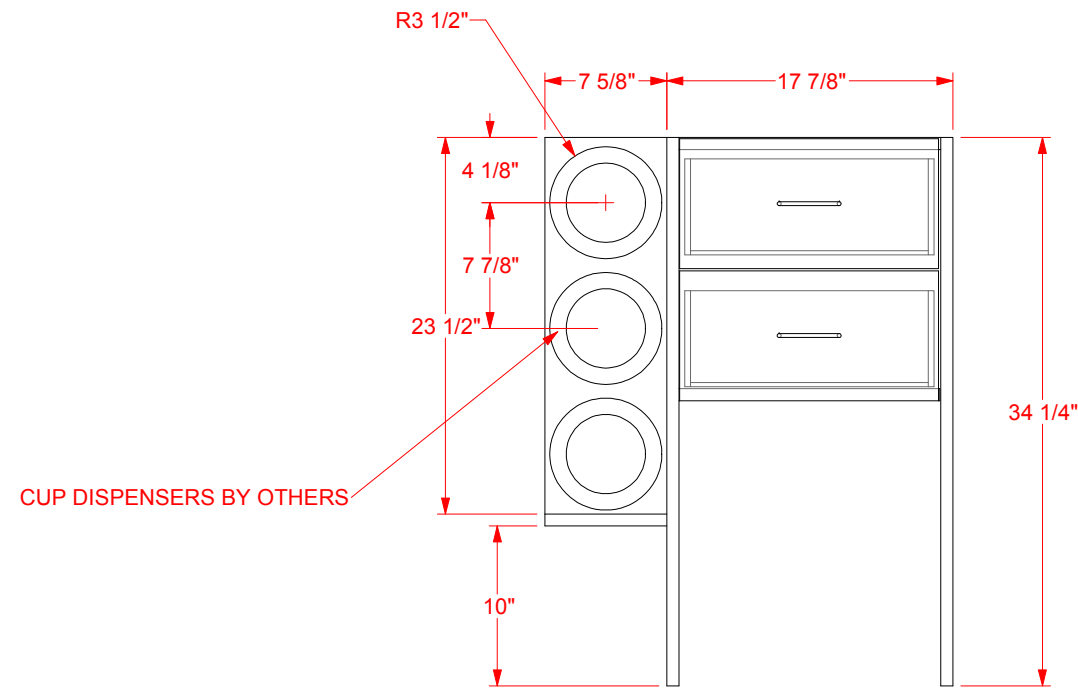
CC-6



PLAN VIEW

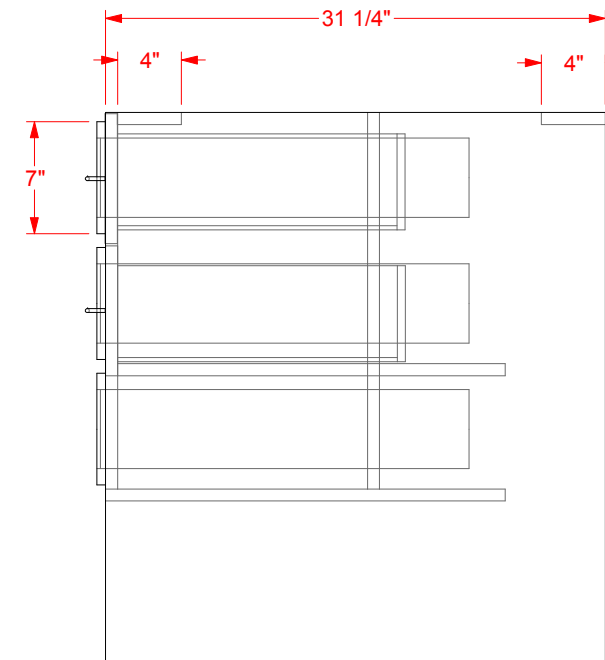


PERSPECTIVE  
N.T.S.



CUP DISPENSERS BY OTHERS

FRONT ELEVATION



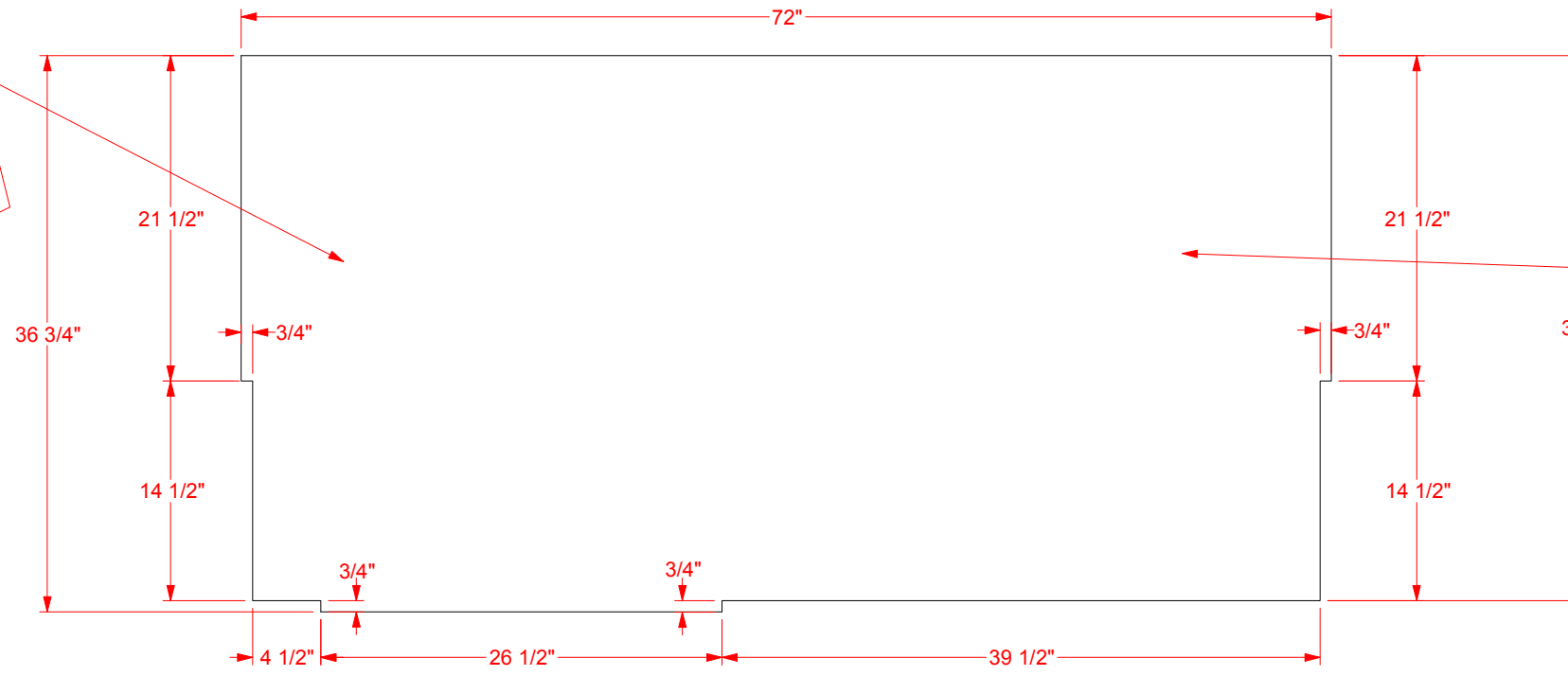
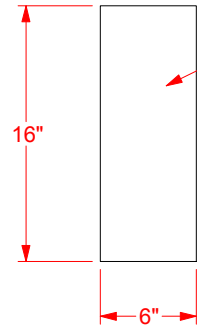
SIDE ELEVATION

1  
CC-6 DRAWER / CUP DISP. MODULE

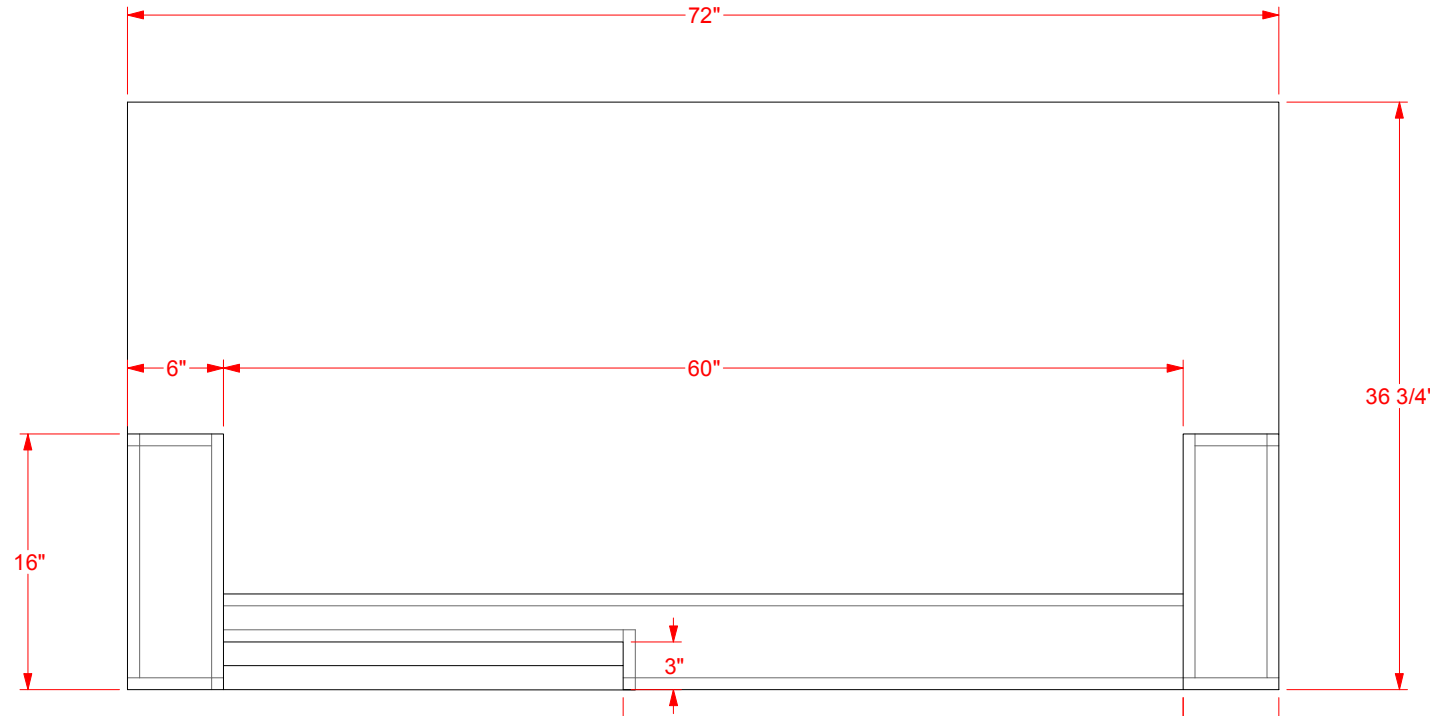
DATE: 05.19.2011	DATE: -	DATE: -	DATE: -
DRAWN BY: JG	REVISIONS:	DATE:	DATE:
APPROVED BY: -	1	11" X 17"	11" X 17"
FILE #	CC-6	JOB	TITLE: COFFEE CART DRAWER MODULE
MRS FIELDS			
1967 South 300 West Salt Lake City, UT 84115 Ph.# 801.505.4160 Fax# 801.505.4161	 <b>EZ</b> DESIGN & FABRICATION		

CC-7

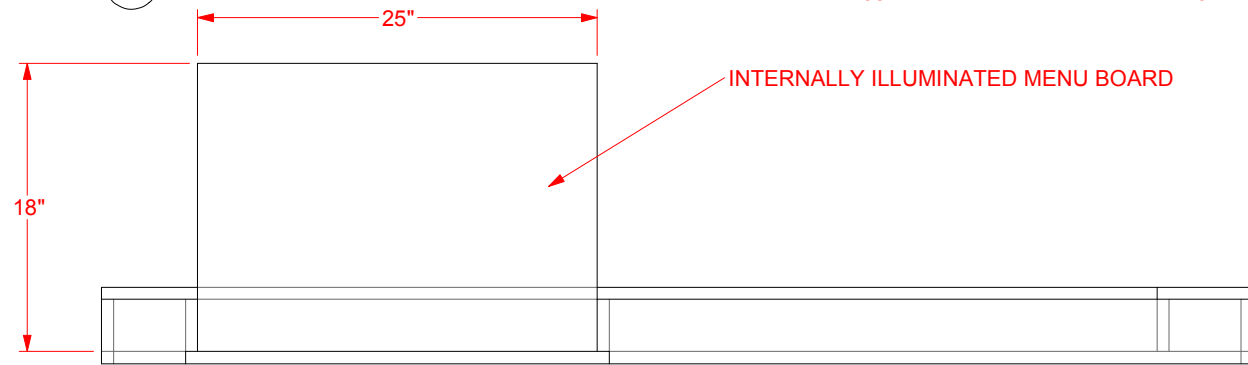
2cm. SILESTONE BLANCO MAPLE 4001  
COUNTERTOP AND PASS OFF SHELF



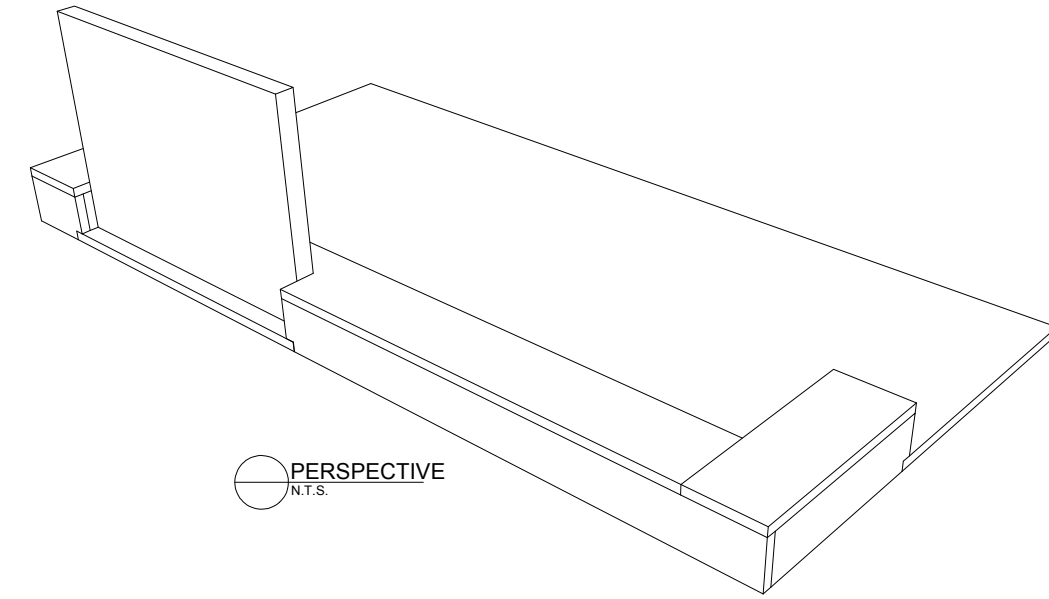
DRILLED / THREADED HOLES AS REQUIRED FOR  
ATTACHMENT TO CABINET FRAME STRINGERS



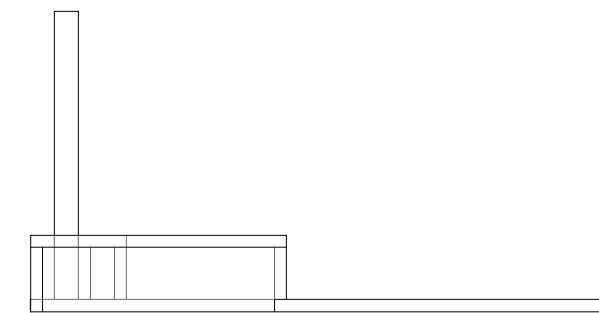
PLAN VIEW



FRONT ELEVATION



PERSPECTIVE  
N.T.S.



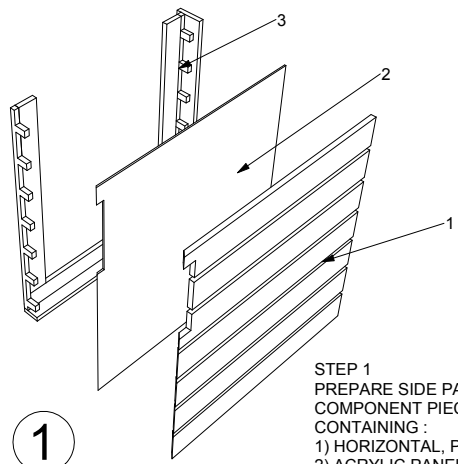
SIDE ELEVATION

1 CC-7 COUNTER TOP DETAILS

DATE: 05.19.2011	DATE: 05.19.2011	DATE: 05.19.2011
REVISIONS	REVISIONS	REVISIONS
DATE: -	DATE: -	DATE: -
SCALE: 1"=1'-0"	SCALE: 1"=1'-0"	SCALE: 1"=1'-0"
PRINT SIZE: 11" X 17"	PRINT SIZE: 11" X 17"	PRINT SIZE: 11" X 17"
APPROVED BY: JG	APPROVED BY: JG	APPROVED BY: JG
<p>The design ideas, concepts, arrangements and plans indicated on these drawings are the sole property of EZ Design &amp; Fabrication. No part of these drawings may be reproduced, stored in a retrieval system, or transmitted in any form or by any means, electronic, mechanical, photocopying, recording, or by any information storage and retrieval system, without the prior written consent of a member of EZ Design &amp; Fabrication.</p>		
<p>1967 South 300 West Salt Lake City, UT 84115 Ph.# 801.505.4160 Fax# 801.505.4161</p>		
<p><b>EZ</b> DESIGN &amp; FABRICATION</p>		
<p>TITLE: COFFEE CART COUNTER TOP</p>		
<p>JOB: MRS FIELDS</p>		
<p>DRAWING #: CC-7</p>		
<p>FILE #</p>		



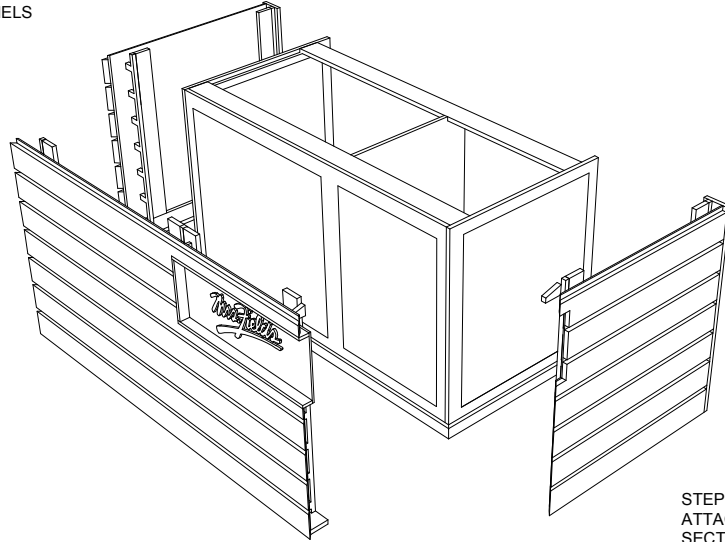
CC-8



**STEP 1**  
PREPARE SIDE PANEL SUB ASSEMBLIES  
COMPONENT PIECES ARE JIG ALIGNED AND ASSEMBLED  
CONTAINING :  
1) HORIZONTAL, PRE-LAMINATED OUTER PANELS  
2) ACRYLIC PANEL  
3) PRE ASSEMBLED STANDOFF SUBFRAME

**3**

**STEP 3 (NOT ILLUSTRATED)**  
ATTACH LED MODULES AND TRANSFORMERS TO  
EXTERIOR SURFACES OF ACCESS PANEL DOORS.  
LED'S TO BE ALIGNED FOR MAXIMUM EXPOSURE  
TO EXPOSED ACRYLIC SLOTS WITHOUT CREATING  
HOTSPOTS.

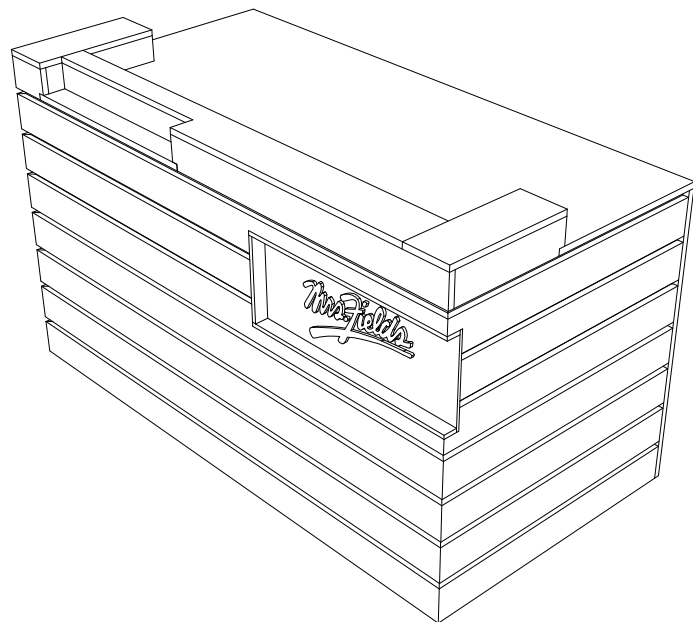


**2**

**STEP 2**  
INTERNAL CABINET STRUCTURE IS ASSEMBLED WITH  
ROLLING ANGLE STEEL FRAME.  
CABINET STRUCTURE COMPRISED OF :  
1) FRAME SECTIONS  
2) ACCESS DOOR PANELS  
3) STRINGERS AND CENTER DIVIDER  
4) BASE PLATE

**4**

**STEP 4**  
ATTACH PRE-ASSEMBLED EXTERIOR PANEL  
SECTIONS AND SECURE FROM INSIDE WITH  
ATTACHMENT HARDWARE AS REQUIRED.

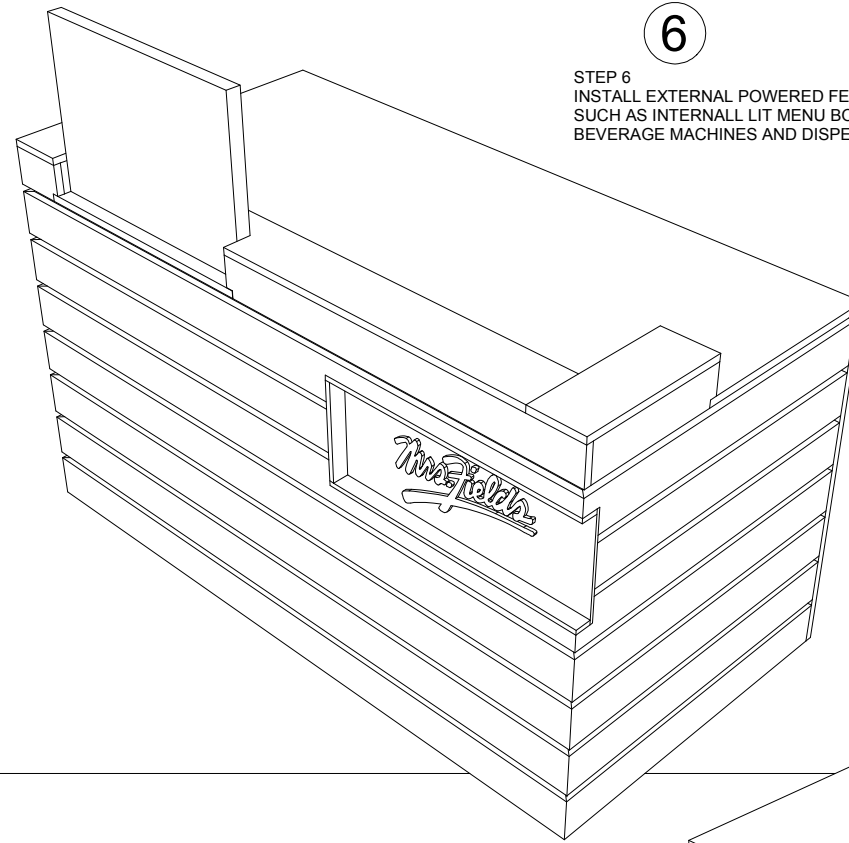


**5**

**STEP 5**  
INSTALL COUNTERTOP FEATURES.

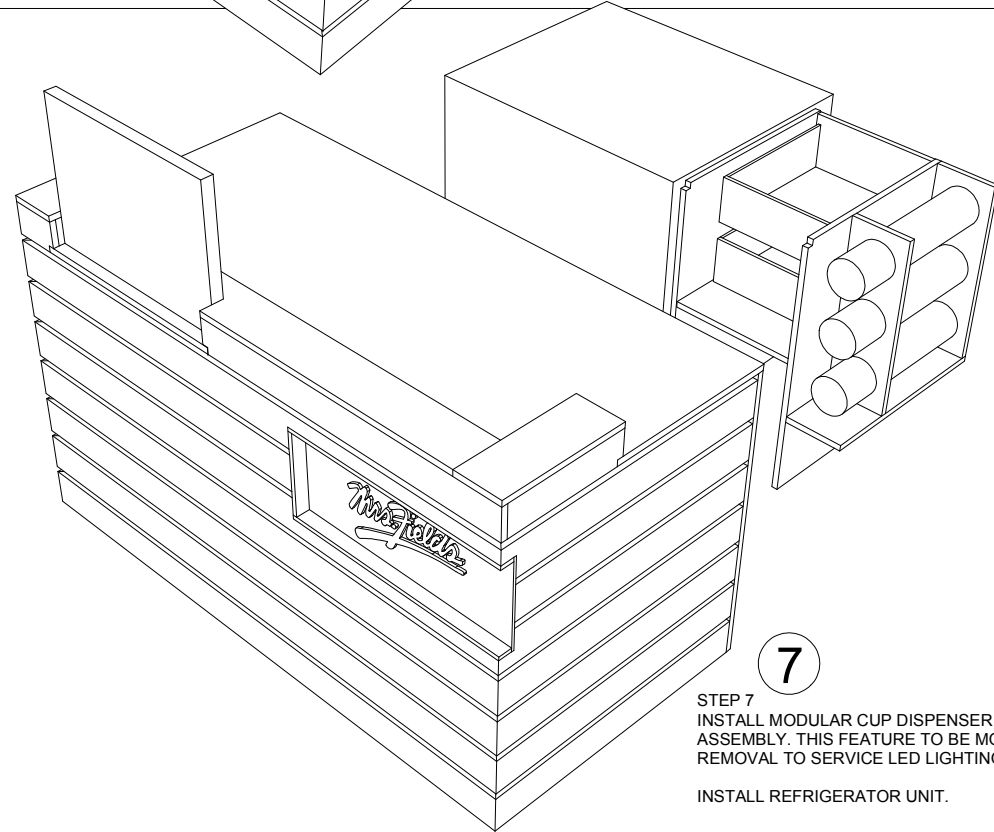
**6**

**STEP 6**  
INSTALL EXTERNAL POWERED FEATURES  
SUCH AS INTERNAL LIT MENU BOARD,  
BEVERAGE MACHINES AND DISPENSERS.



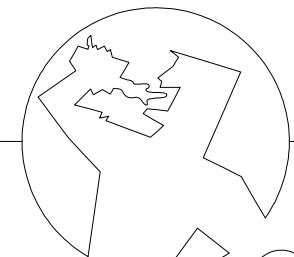
**7**

**STEP 7**  
INSTALL MODULAR CUP DISPENSER / DRAWER  
ASSEMBLY. THIS FEATURE TO BE MODULAR FOR  
REMOVAL TO SERVICE LED LIGHTING.  
  
INSTALL REFRIGERATOR UNIT.



**8**

**STEP 8**  
ENJOY!



DATE: 05.19.2011		DRAWN BY: JG	
REVISIONS		APPROVED BY: _____	
DATE: _____	REVISIONS: _____	SCALE: 3/8"=1'-0"	PRINT SIZE: 11" X 17"
<p><b>TITLE: COFFEE CART ASSY. PROCEDURE</b></p> <p><b>JOB: MRS. FIELDS</b></p> <p><b>DRAWING #: CC-8</b></p> <p><b>FILE #:</b></p>			
<p>1967 South 300 West Salt Lake City, UT 84115 Ph.# 801.505.4160 Fax# 801.505.4161</p>			